

GE Sensing

Features

- Loop-powered, 4 to 20 mA transmitter
- Proven polymer capacitive sensor for fast response and calibration stability
- Integral filtering and flow regulation
- Trouble-free indoor or outdoor mounting
- Microcontroller electronics in Type 4X/IP67 enclosure

Options

- Integral display with user interface
- English or metric fittings
- External display available with loop-powered supply and alarm contacts
- Power supply
- Wall mount kit

The DewPro MMR30 is a compact, mid-range moisture transmitter designed specifically for refrigeration dryer manufacturers and users. The DewPro MMR30 measures dew point at line pressure or atmospheric pressure and installs easily on a dryer outlet header.

The DewPro MMR30 uses a proven polymer capacitive sensor to provide a measurement range of 5°F to 185°F (-15°C to 85°C) with $\pm 1.8^\circ\text{F}$ ($\pm 1.0^\circ\text{C}$) accuracy. The optional integrated display with user interface provides full programming and diagnostic capability.

DewPro[®] MMR30 Moisture Transmitter

DewPro MMR30 is a General Eastern product. General Eastern has joined other GE high-technology sensing businesses under a new name—GE Industrial, Sensing.



DewPro MMR30 Specifications

Sensing Element

Silicon-based polymer, capacitance principle,
IC electronics

Dew Point Range

5°F to 185°F (-15°C to 85°C)

Dew Point Accuracy

±1.8°F (±1°C) above 32°F (0°C) dew point @ 25°C

Operating Temperature Range

Process: 5°F to 185°F (-15°C to 85°C)
Electronics: -40°F to 185°F (-40°C to 85°C)

Maximum Operating Pressure

250 psia (17 bar)
Inlet filter: 2 micron sintered stainless steel

Air Bleed Off at 100 psig (7 bar)

Approximately 1 SCHF (28 sl/h)

Output

Loop current 4 to 20 mA; 16 µA resolution

Flow Block

316 stainless steel with 1/2 in NPT-M or G 1/2 thread;
(DIN ISO 228) and gasket seal

Wrench Width for Flow Block

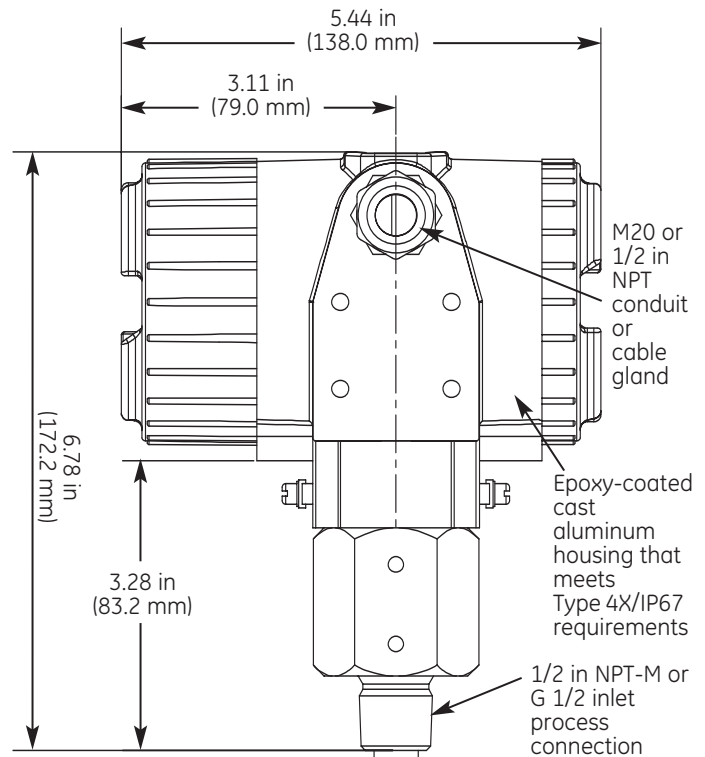
1-5/8 in (42 mm)

Electronics

Microcontroller operated

Hardware Selectable Units

Dew point temperature in °F or °C



DewPro MMR30 with optional display

Supply Power

24 VDC nominal, tolerance 12 to 30 VDC

Optional Display

Four-digit numeric display with bar graph and matrix
position indication. Four user interface keys for unit
selections, output adjustments and ranging.

Protection

Type 4X/IP67

Weight

4.4 lb (2 kg)

European Compliance

Complies with EMC Directive 89/336/EEC and
PED 97/23/EC for DN<25



©2005 GE. All rights reserved.
920-062B

All specifications are subject to change for product improvement without notice.
DewPro® is a registered trademark of GE. GE® is a registered trademark of General
Electric Co.

EX-CALIBRA

Autoryzowany dystrybutor
GE Measurement & Control Solutions
41-400 Mysłowice, ul. Portowa 25
tel.: 32 2239280, fax: 32 2239281
e-mail: ex-calibra@ex-calibra.pl
Internet: www.ex-calibra.pl

www.gesensing.com